

Model POT-PLC601/PDU
16-Ch Ethernet Extender Hub
Product Datasheet



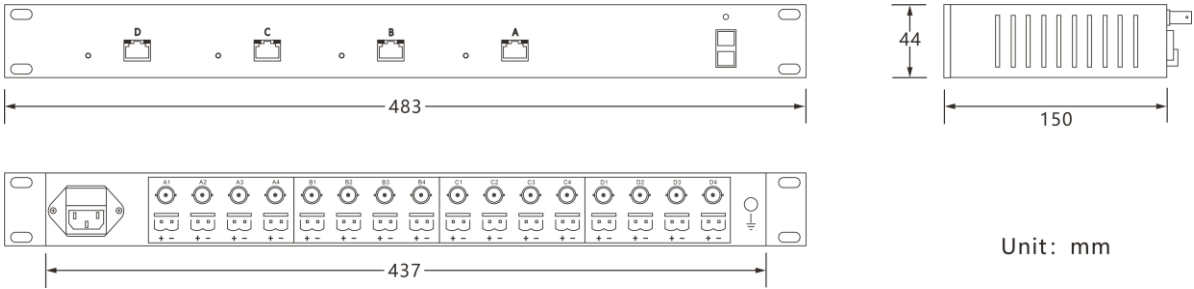
POT-PLC601HU is a 16-Ch Ethernet Extender Hub. It simultaneously receives multiple network signals, and supports both point to point and point to multi-point. It is used to transmit data network signal over any pair 2-wire cable such as twisted pair, cat5, coaxial cable and power line, etc.

This product is widely used in network extension systems, network security systems, information publishing systems, network renovation and expansion projects, as well as in industries like railways, urban traffic, and more.

Features

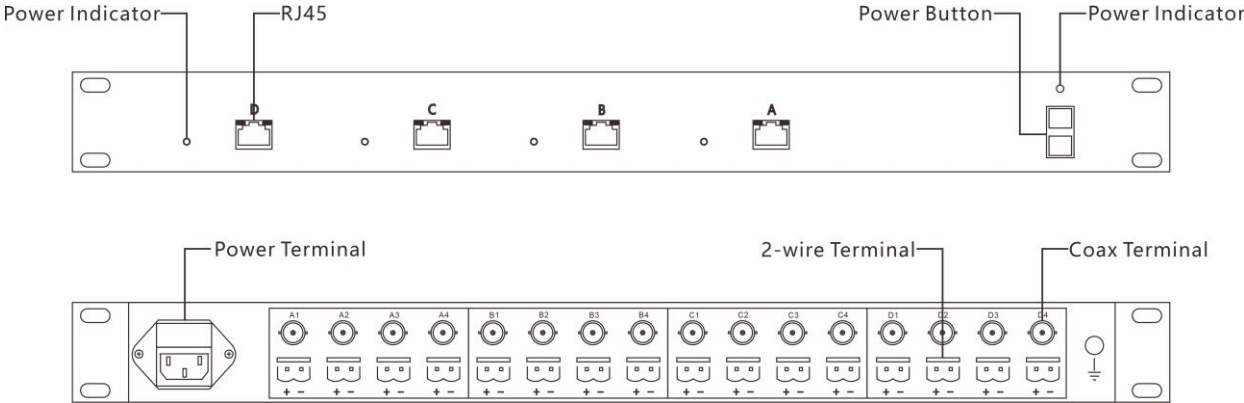
- ◆ IP over one pair 2-wire cable up to 1,000m
- ◆ Full duplex 100Mbps
- ◆ 19-inch rack installation, anti-interference design
- ◆ Transparent transmission with no need for adjustments or software changes

Dimension



Note: Dimension error value ± 1 mm

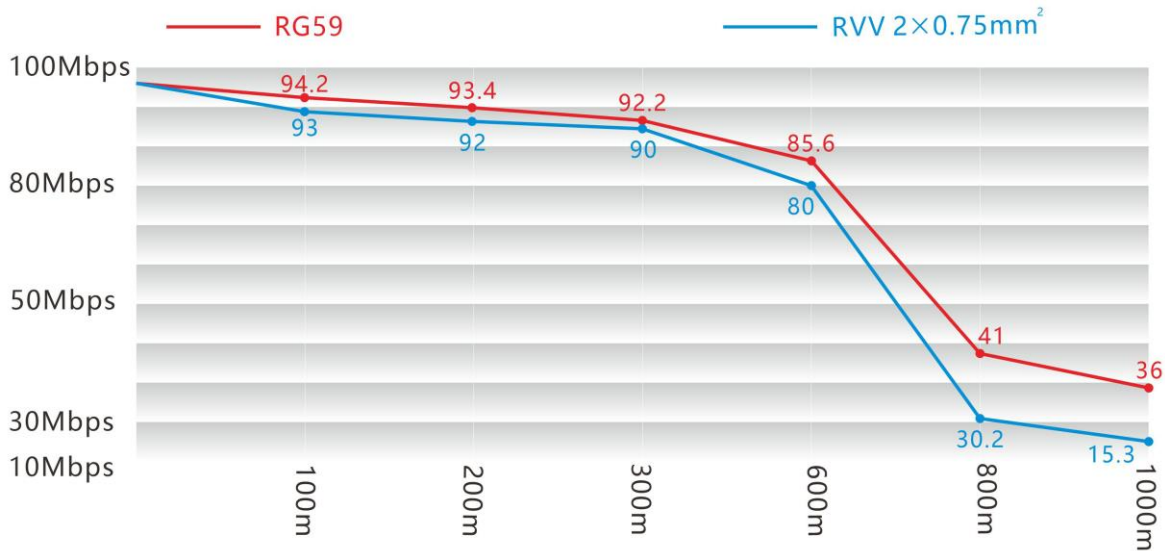
Interface Description



Technical Parameter

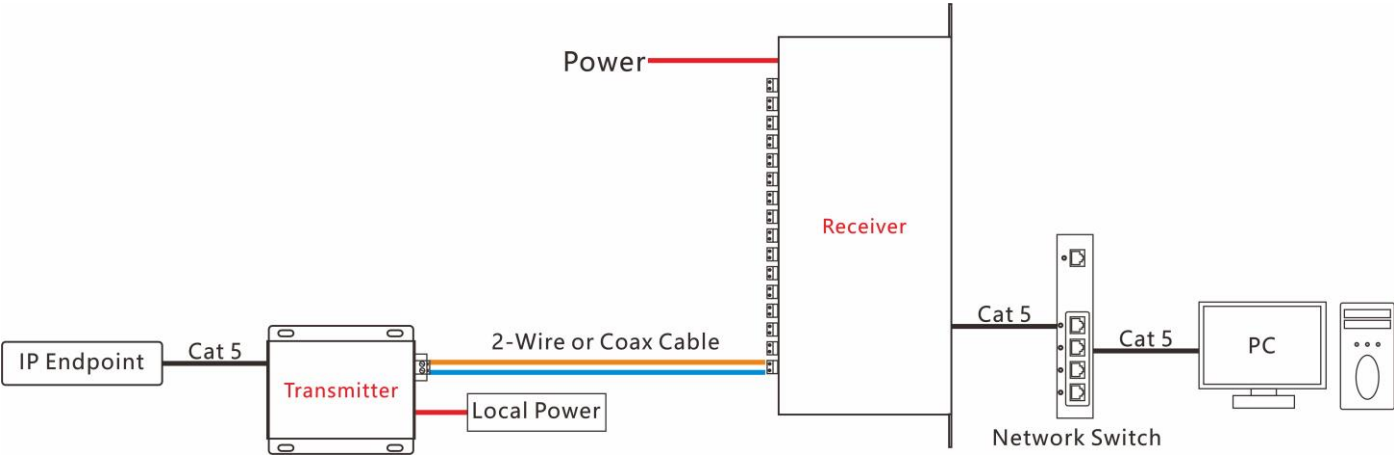
Category		Description
Power	Power Input	100 ~ 240VAC
Ethernet network	Standard Compliance	IEEE 802.3, IEEE 802.3u
	Bandwidth	Full duplex 100Mbps
Physical Characteristic	Dimensions (L x W x H)	483x150x44mm
	Material	Aluminum Alloy
	Net Weight	1.64KG/PC
Operating Environment	Working Temperature	-20°C~60°C
	Working Humidity	<95% (Non-condensation)

Bandwidth & Distance Chart



Note:
The actual data speed performance can vary by the environmental conditions and the cable qualities.

Installation Diagram



Multi-Channel Connection

