

***Prostal***

**Model PSP-005POEWM1**

**Waterproof Gigabit PoE Surge Protector**

**Product Datasheet**



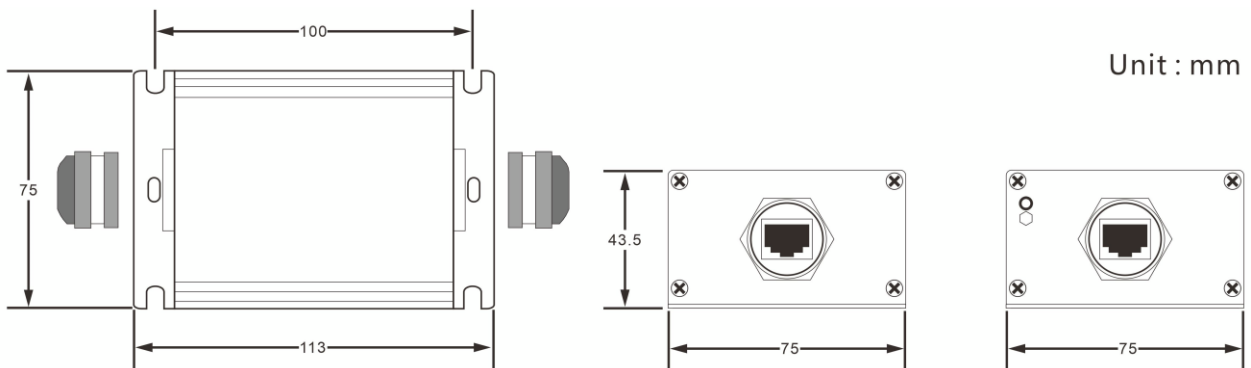
**[www.prostal.com.tw](http://www.prostal.com.tw)**

**PSP-005POEWM1** is a Waterproof Gigabit PoE Surge Protector. It protects PoE cameras, PoE switches, servers, modem, network terminals and other network communication equipment in surveillance systems.

## Features

- ◆ Compatible for 10/100/1000Mbps network and power
- ◆ Support 1, 2, 3, 6 or 4, 5, 7, 8 power line protection at the same time
- ◆ Reasonable circuit design, very low insertion loss
- ◆ Special signal isolation technology, reduce surge strike for network devices

## Dimension



**Note: Dimension error value  $\pm 1$  mm**

## Housing Parameter

Category	Description
Protection Class	IP67
Housing Material	Aluminum Alloy
Flame Retardant Class	V-1
Interface Material	PC
Dimensions (L x W x H)	113x75x43.5mm
Sealing Element	Silicone Ring

## Technical Parameter

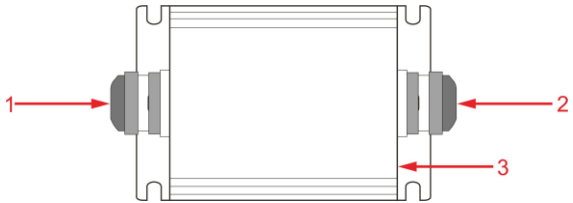
Category	Description	
Signal Type	Network	Power
Interface Type	RJ45	
Working Voltage (Un)	6/12V	48V
Max. Continuous Operating Voltage (Uc)	≤20V	≤60V
Voltage protection level (Up @line-line)	20V@ 3kV (1.2/50)	60V@ 3kV (1.2/50)
Voltage protection level (Up @line-GND/PE)	60V@ 3kV (1.2/50)	400V@ 3kV (1.2/50)
Nominal Discharge Current (In @8/20μs)	5kA	
Max. Discharge Current (Imax @8/20μs)	10kA	
Surge Life at 0.5kA (8/20μs)	>2000 events	
Bandwidth (3dB) per pair	250MHz	
Return Loss (100Ω)	-16dB	
Lightning protection	10kV@8/20μs, 10kV@10/700μs	
Transmission Rate (Mbps)	1000	
Response Time (ns)	≤1	≤25
Insert Loss (dB)	≤0.2	
Working Temperature	-40℃~+80℃	
Working Humidity	<95% Non-condensation	
Net Weight (g)	287	

## Installation Diagram



## Installation Instructions

Please first loosen the waterproof connector, then insert the Ethernet cable through the waterproof connector and attach the RJ45 connector to the corresponding port on the product. Ensure the water blocking plug is properly installed and securely tightened!

	NO	Step
	1	Connect the protected device of computer and network switches to OUT (1)
	2	Connect Cat5/6 cable to IN (2)
	3	Connect ground lead (3) to the grounding device