

Prostal

Model POT-PLC302POE

Mini PoE Extender

Product Datasheet



CE FC RoHS  

www.prostal.com.tw

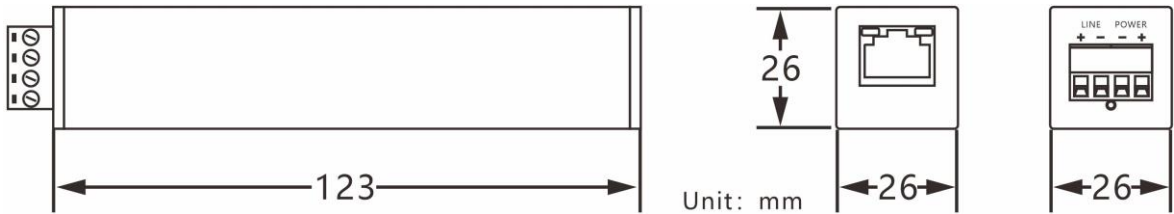
POT-PLC302POE is a high-speed Mini PoE Extender. It can transmit Power and Ethernet signals together over any pair of 2-wire such as Cat5, coaxial cable and power line, etc.

This device contains one Receiver unit and one Transmitter unit, and can be connected to the existing cabling infrastructure for IoT devices including IP phones, cameras, access control, speakers and etc.

Features

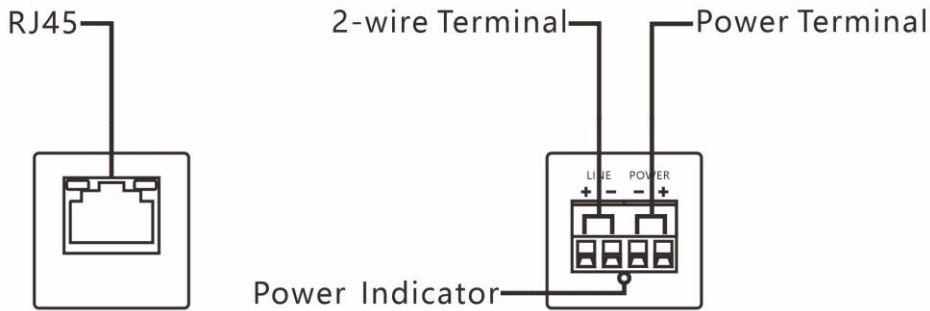
- ◆ PoE over 1 pair 2-wire cable up to 500m
- ◆ Full duplex 100Mbps
- ◆ Powered by 48-56VDC
- ◆ Transparent transmission

Dimension



Note: Dimension error value ± 1 mm

Interface Description



Technical Parameter

Category		Description
Power	Available Voltage Range	48~56VDC
	Power Consumption	≤3W / PC
	PoE Power Output	Standard 48VDC; IEEE802.3af/at
Transmission / Rate	Standard Compliance	IEEE1901, IEEE802.3
	Up Down Agreement	CSMA/CA
	Bandwidth	Full duplex 100Mbps
Physical Characteristic	Dimensions (L x W x H)	123x26x26mm
	Material	Aluminum Alloy
	Net Weight	115g / PC
Operating Environment	Working Temperature	-20°C~60°C
	Working Humidity	<95% (Non-condensation)

Power, Bandwidth & Distance Table

Receiver <- -> Transmitter		Cable 2x0.75 mm ²	
Receiver power supply type		DC 48V (1.25A)	DC 56V (1.1A)
Distance 100 M	Bandwidth (Mbps)	92	92
	PoE (W)	24.1	29.5
Distance 200 M	Bandwidth (Mbps)	86	86
	PoE (W)	22.8	29.5
Distance 300 M	Bandwidth (Mbps)	82	82
	PoE (W)	19.1	28
Distance 400 M	Bandwidth (Mbps)	80	80
	PoE (W)	10.5	25.5
Distance 500 M	Bandwidth (Mbps)	78	78
	PoE (W)	9	24

Receiver <- -> Transmitter		Coaxial Cable	
Receiver power supply type		DC 48V (1.25A)	DC 56V (1.1A)
Distance 100 M	Bandwidth (Mbps)	93	93
	PoE (W)	25.2	29.5
Distance 200 M	Bandwidth (Mbps)	86.5	86.5
	PoE (W)	21.5	29.5
Distance 300 M	Bandwidth (Mbps)	84	84
	PoE (W)	20.5	28
Distance 400 M	Bandwidth (Mbps)	82	82
	PoE (W)	12.5	25.5
Distance 500 M	Bandwidth (Mbps)	80.5	80.5
	PoE (W)	9	23.5

Note:
 The actual data speed and PoE performance can vary by the environmental conditions and the cable qualities.

Connection Diagram

