

Prostal

Model POT-PLC602POE-2P

PoE Extender

Product Datasheet



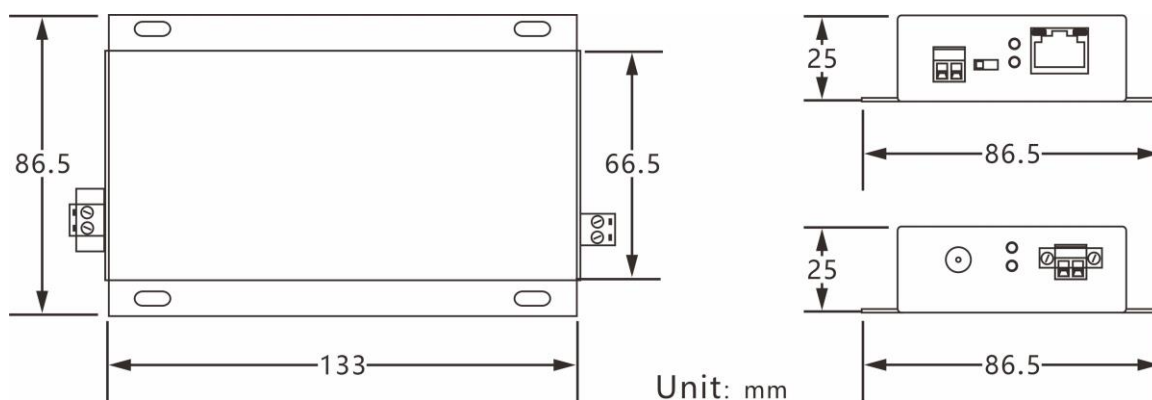
POT-PLC602POE-2P is a high-speed PoE Extender that transmits both Ethernet and PoE signals over single pair 2-wire cable. This device supports both PoC and PoE functions. Additionally, it features a DIP switch design that allows selection of a 12VDC output mode for non-PoE devices.

This device contains one Receiver unit and one Transmitter unit, and can be connected to the existing cabling infrastructure for IoT devices including IP phones, cameras, access control, speakers and etc.

Features

- ◆ Max Transmission PoE distance can reach 500m
- ◆ Full duplex 100Mbps
- ◆ Support power over cable technology
- ◆ Dip switch for power output: 12VDC/2A or PoE
- ◆ Built-in ESD protection circuit, in case of static damage

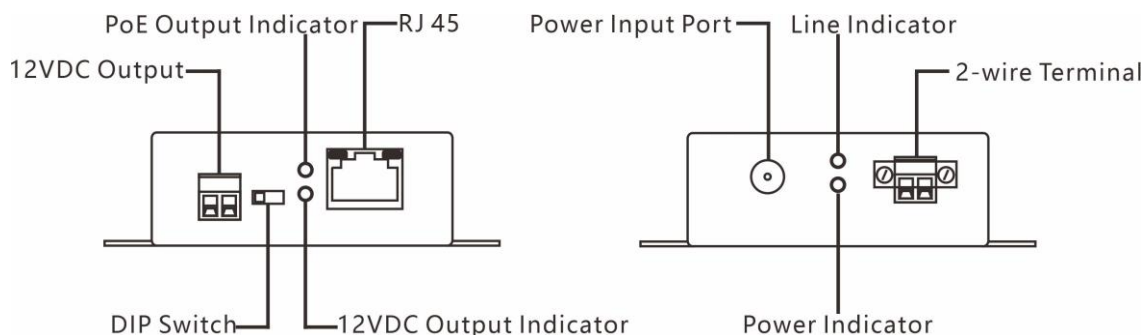
Dimension



Unit: mm

Note: Dimension error value ± 1 mm

Interface Description



Technical Parameter

Category		Description
Power Input	DC Input	48 ~ 56VDC
	Power Consumption	≤3W / PC
Power Output	Dip Switch	RJ45/PoE output
		2P DC output
Transmission / Rate	Standard Compliance	IEEE802.3u
	Up Down Agreement	CSMA/CA
	Bandwidth	Full duplex 100Mbps
	Encryption Way	128-bit AES Encryption
Physical Characteristic	Dimension (L x W x H)	133x86.5x25mm
	Material	Aluminum Alloy
	Net Weight	220g / PC
Operating Environment	Working Temperature	-20°C~60°C
	Working Humidity	<95% (Non-condensation)

Power, Bandwidth & Distance Table

Receiver <- -> Transmitter		Cable 2x0.75 mm ²
Receiver power supply type		DC 48V (1.25A)
Distance 100 M	Bandwidth (Mbps)	92
	PoE (W)	25.3
Distance 200 M	Bandwidth (Mbps)	86
	PoE (W)	23.1
Distance 300 M	Bandwidth (Mbps)	82
	PoE (W)	20.5
Distance 400 M	Bandwidth (Mbps)	80
	PoE (W)	10.5
Distance 500 M	Bandwidth (Mbps)	78
	PoE (W)	9

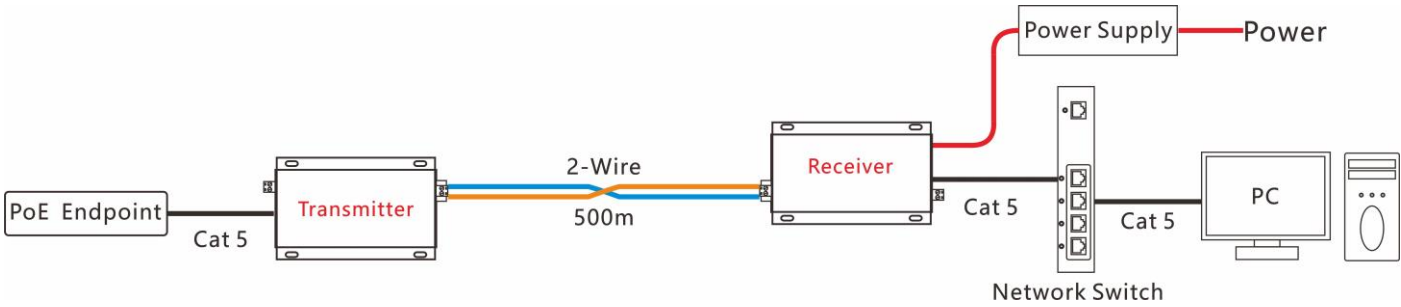
Receiver <- -> Transmitter		Coaxial Cable
Receiver power supply type		DC 48V (1.25A)
Distance 100 M	Bandwidth (Mbps)	93
	PoE (W)	25.8
Distance 200 M	Bandwidth (Mbps)	86.5
	PoE (W)	21.5
Distance 300 M	Bandwidth (Mbps)	84
	PoE (W)	20.5
Distance 400 M	Bandwidth (Mbps)	82
	PoE (W)	12.5
Distance 500 M	Bandwidth (Mbps)	80.5
	PoE (W)	9

Note:

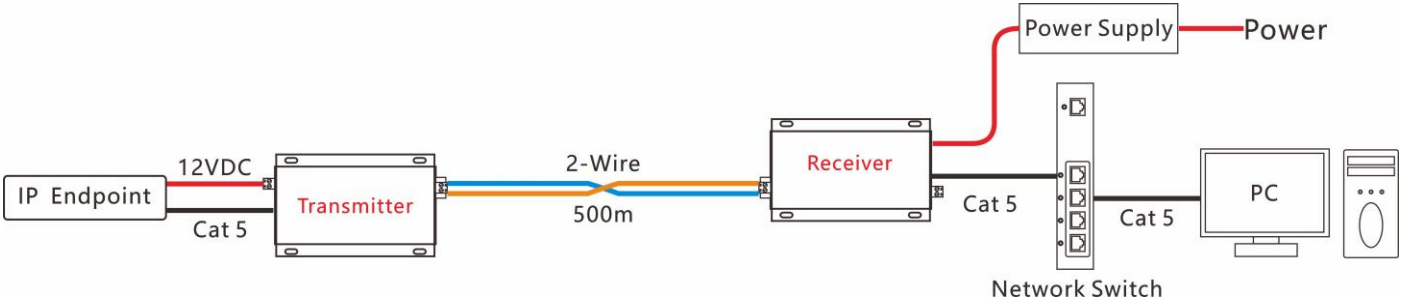
The actual data speed and PoE performance can vary by the environmental conditions and the cable qualities.

Installation Diagram

1. Provide PoE power supply output for front-end PoE Endpoint.
(OT-PLC602POE-2P supports PoE output, but does not support PoE input.)



2. Provide low voltage 12VDC output for front-end IP Endpoint.



3. For long transmission distances, to prevent excessive voltage drop, a 48~56VDC power supply can be provided to the transmitter unit, while simultaneously powering the receiver unit.

