

Prostal

**Waterproof PoE Extender
POT-101/POE
Product Datasheet**



CE FC RoHS  

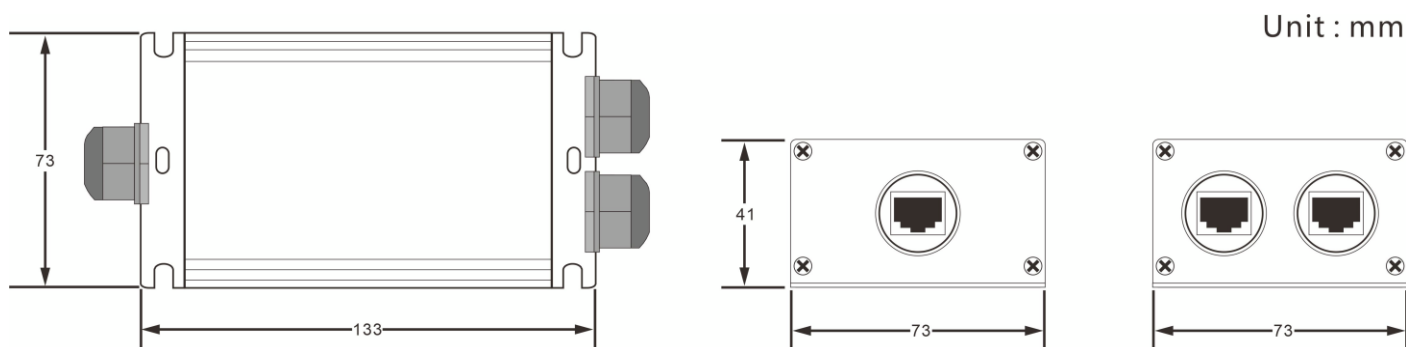
www.prostal.com.tw

OT-101/POE is a waterproof PoE extender. It is designed to extend Power over Ethernet (PoE) signals. It can increase the PoE transmission distance by an additional 100 meters (328 feet) per unit. By cascading multiple extenders, the transmission distance can reach up to 500 meters (1,640 feet). This feature makes it ideal for long-distance outdoor PoE projects.

Features

- ◆ IP67 protection level
- ◆ Support IEEE802.3af/ at/ bt standard
- ◆ Support 100/1000Mbps rate
- ◆ Support PoE output (15.4W/ 30W/ 60W/ 90W)

Dimension



Note: Dimension error value ± 1 mm

Housing Parameter

Category	Description
Protection Class	IP67
Housing Material	Aluminum Alloy
Flame Retardant Class	V-1
Screw Material	PC
Dimensions (L x W x H)	133x73x41mm
Sealing Element	Silicone Ring

Technical Parameter

Category		Description
Power	PoE Power	15.4W/ 30W/ 60W/ 90W
	Power Consumption	≤2W
Cable	Unshielded/Shielded Network Cables	CAT5/ CAT5E/ CAT6
Network/ Rate	Standard Compliance	IEEE802.3af/at/bt
	Network Speed	100/1000Mbps
	Power Supply Line Pair	1/2+; 3/6-; 4/5+; 7/8-
Physical Characteristic	Dimensions (L x W x H)	133x73x41mm
	Material	Aluminum Alloy
	Net Weight	326g
Operating Environment	Working Temperature	-20°C~60°C
	Humidity	<95% (Non-condensation)

Installation Diagram

The PoE Extender supports a transmission distance of up to 100 meters (328 feet) in a single use. By connecting up to 4 units in series, it can achieve a maximum transmission distance of 500 meters (1,640 feet). One port is used to connect to a PoE camera, while the other port can either link to the next extender or connect directly to another PoE camera.

