

***Prostal***

**Model POT-ES004**

**Industrial Ethernet Switch**

**Product Datasheet**



[www.prostal.com.tw](http://www.prostal.com.tw)

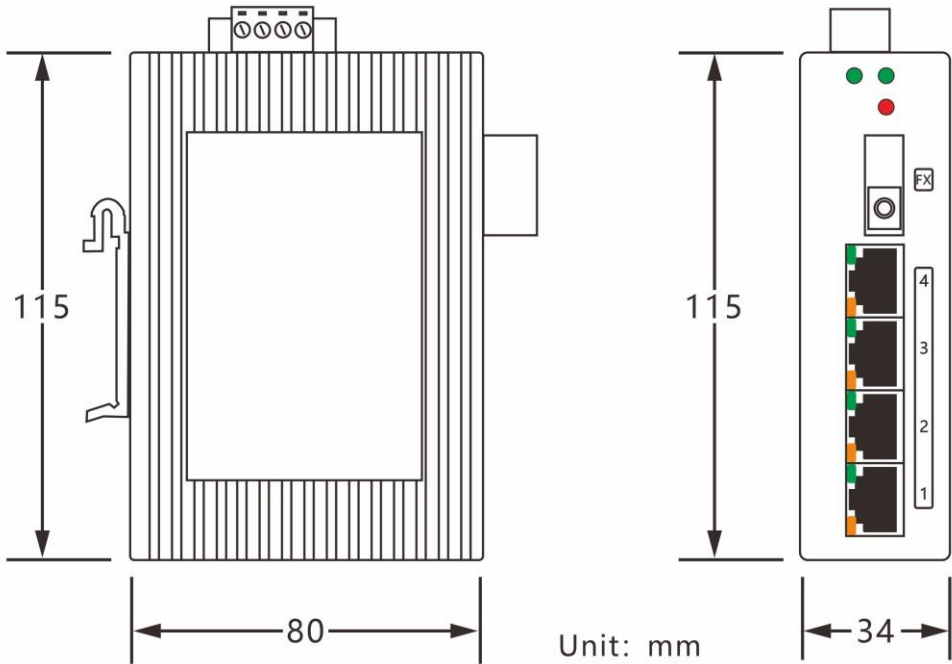
**POT-ES004 Industrial Ethernet Switch** supports 4 x 10/100Base-TX electrical port and 1 x 100Base-X optical port.

Its wide operating temperature range and port surge protection make it ideal for high-traffic, real-time outdoor environments. This switch is widely applicable in industrial automation, roadways, schools, residential communities, rail transport, and power monitoring systems.

## Features

- ◆ Comply with IEEE802.3/802.3u/802.3x store-and-forward mechanism
- ◆ All ports are capable of wire-speed forwarding to ensure non-blocking message transmission
- ◆ Features port auto-flip (Auto MDI/MDIX) function
- ◆ Support redundant power input with overload and reverse polarity protection
- ◆ Support full-load operation in a temperature range of -40°C to 85°C
- ◆ Low power consumption with a fanless design

## Dimension



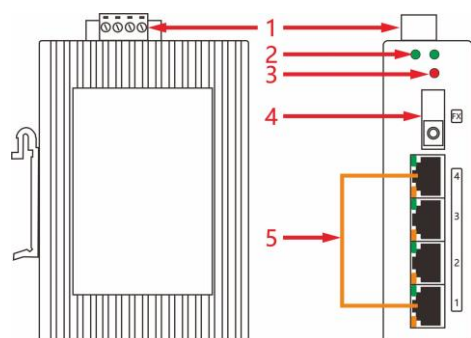
**Note: Dimension error value  $\pm 1$  mm**

## Technical Parameter

Category		Description
Interface	Electrical Port	10/100Base-TX RJ45, auto-negotiation
	Optical Port	100Base-X (SC standard, ST/FC optional)
	Power Interface	5.08mm industrial terminal
Standards Conformance	Standards Compliance	IEEE802.3、IEEE802.3u、IEEE 802.3x
Power	Power Input	12-24VAC / 9-36VDC redundant input
	Idle Current	0.16A@12VDC (max)
	Full Load Current	0.22A@12VDC (max)
Mechanical Characteristic	Enclosure	High-strength corrugated profile case
	Protection Rating	IP40
	Installation	DIN-rail mounting
	Weight	600g/PC
Operating Environment	Operating Temperature	-40°C~85°C
	Storage Temperature	-45°C~85°C
	Operating Humidity	5%~95% (Non-condensation)

## Installation Instructions

NO	Step
1	Low voltage power input port, please pay attention to the polarity (1)
2	Power status indicator of network port (2)
3	Power status indicator of fiber port (3)
4	Fiber optic interface (4)
5	Network port interface (5)



# Connection Diagram

