

Prostal

Model POT-ES008

Industrial Ethernet Switch

Product Datasheet

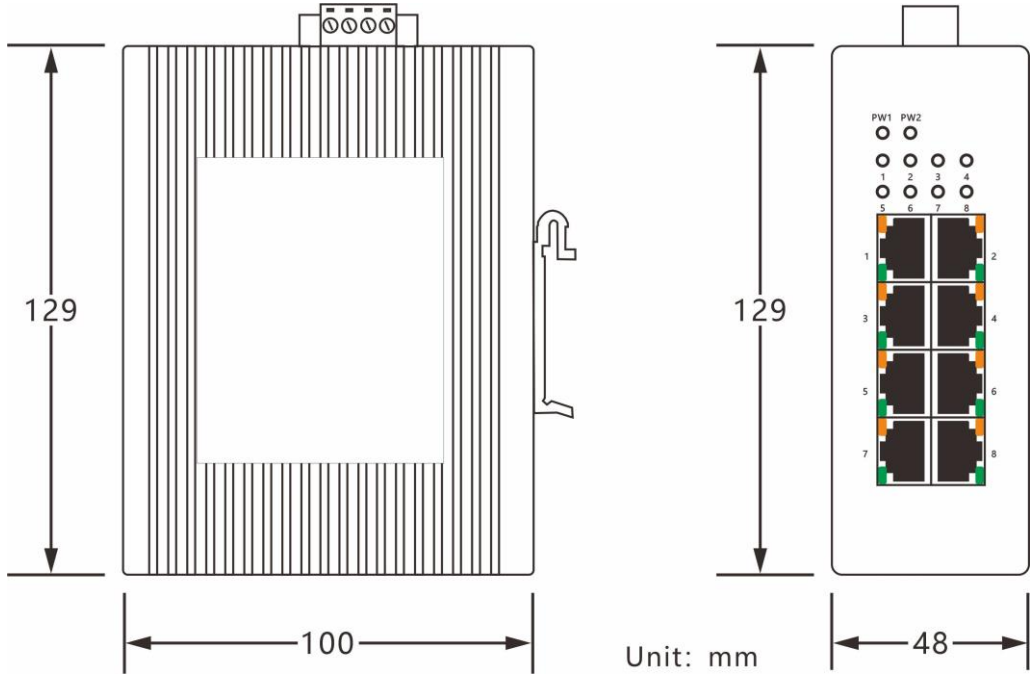


www.prostal.com.tw

POT-ES008 Industrial Ethernet Switch is an unmanaged industrial Ethernet switch that supports 8 10/100Base-TX ports. With a fanless, low-power design and a wide operating temperature range, it features surge protection for the ports, making it especially suitable for high-traffic, real-time outdoor environments. This switch is widely applicable in industrial automation control, road networks, campuses, residential communities, rail transit and power monitoring.

- ◆ All 8 x 10/100Base-TX ports
- ◆ Supports IEEE 802.3/802.3u/802.3x store-and-forward mode
- ◆ All ports feature full line-rate forwarding capabilities, ensuring non-blocking packet transmission
- ◆ Support auto MDI/MDIX function for automatic port flipping
- ◆ Support redundant power input and features overload and reverse polarity protection
- ◆ High-strength corrugated profile metal casing, rail-mounted installation, and IP40 protection rating

Dimension



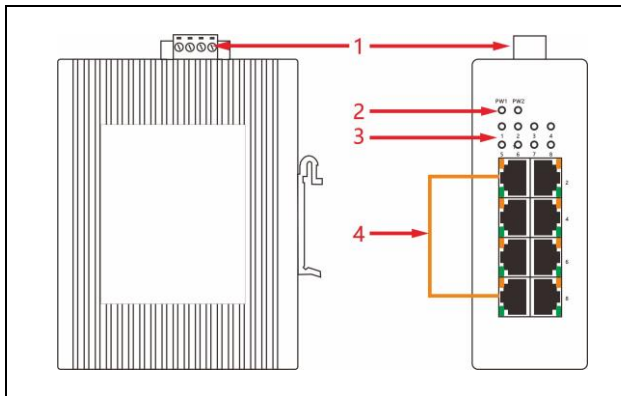
Note: Dimension error value ± 1 mm

Technical Parameter

Category		Description
Interface	Electrical Port	10/100Base-TX RJ45, auto-negotiation
	Power Interface	5.08mm industrial terminal
Power	Power Input	9-36VDC / 12-24VAC
	Overload Protection	Support
Physical Characteristic	Installation	DIN-rail
	Protection Rating	IP40
	Dimension	129×100×48mm
	Weight	475g/PC
Operating Environment	Operating Temperature	-40°C~85°C
	Storage Temperature	-45°C~85°C
	Operating Humidity	5%~95% (Non-condensation)
Switching Characteristic	Architecture	Store and forward
	Throughput (packet per second)	1.19Mpps@ 64 bytes
	Bandwidth	1.8G (non-blocking)
Standards Conformance	Standards Compliance	IEEE802.3 IEEE802.3u

Installation Instructions

NO	Step
1	9-36VDC / 12-24VAC power input port, please pay attention to the polarity (1)
2	Power Indicator (2)
3	Network Operation Indicator (3)
4	Ethernet port interface (4)



Connection Diagram

